

series
1100
2-Stage Servo Valve
Rated flows up to 120 l/m



Features

- Maximum operating pressure 350 bar
- Electric feedback at main stage spool
- ISO 4401-05-05-0-94 mounting pattern (NG10)
- Internal or pilot supply & return (4, 5 or 6 port)
- Suitable for 3-way or 4-way applications
- Low hysteresis & zero point drift
- High spool drive forces
- Spool in bushing design
- Dry torque motor with mechanical feedback
- Long life Sapphire Technology



Star Hydraulics Limited
Severn Drive
Tewkesbury Business Park
Tewkesbury
Gloucestershire
GL20 8SF
England (UK)

www.star-hydraulics.co.uk

ST-1100-2016.1-En

Benefits and Features

Sapphire ball in slot design

- Incorporated into Star designs since 1988
- Many billions of cycles per service life
- Increased spool life due to spool rotation
- Ultra low coefficient of friction sapphire to steel
- Feedback mechanism unhindered by spool rotation
- Extended warranties available



Safety

- Flame proof
- Intrinsic safety
- Class, Div & Zone coverage
- Mechanical failsafe
- Double & triple coil redundancy

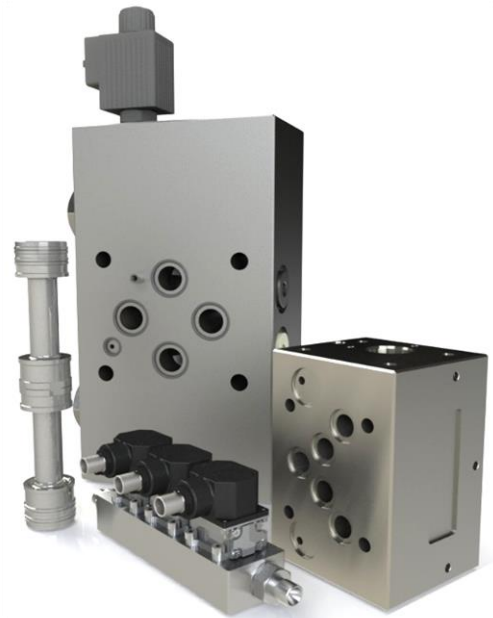
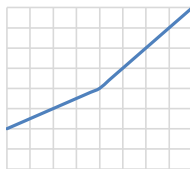
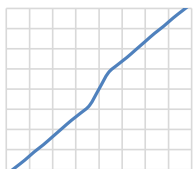
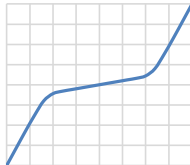
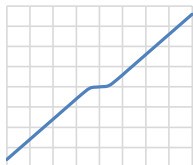
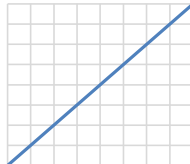


Quality

- Independent audit process is our commitment on quality
- Focus on customer needs and expectations
- Delivery schedules on time
- Continual improvements on products and services
- Maintaining design and manufacturing integrity

Custom spool lap & bushing port geometries

- Zero overlap
- Overlap (closed center)
- underlap (open center)
- Dual gain
- Asymmetric gain



Special projects

- Compact servo designs
- Special interfaces
- Modular components



Sealing materials

- Nitrile
- Fluorocarbon (Viton)
- Ethylene-Propylene
- Fluorosilicone

Sapphire flow

- Ensuring first stage stability
- Precisely matched flow properties
- Long life in extreme environments



Special connectors

- MIL-C-5015
- MIL-DTL-38999
- Conduit style male/female
- Hermetic

Technical data

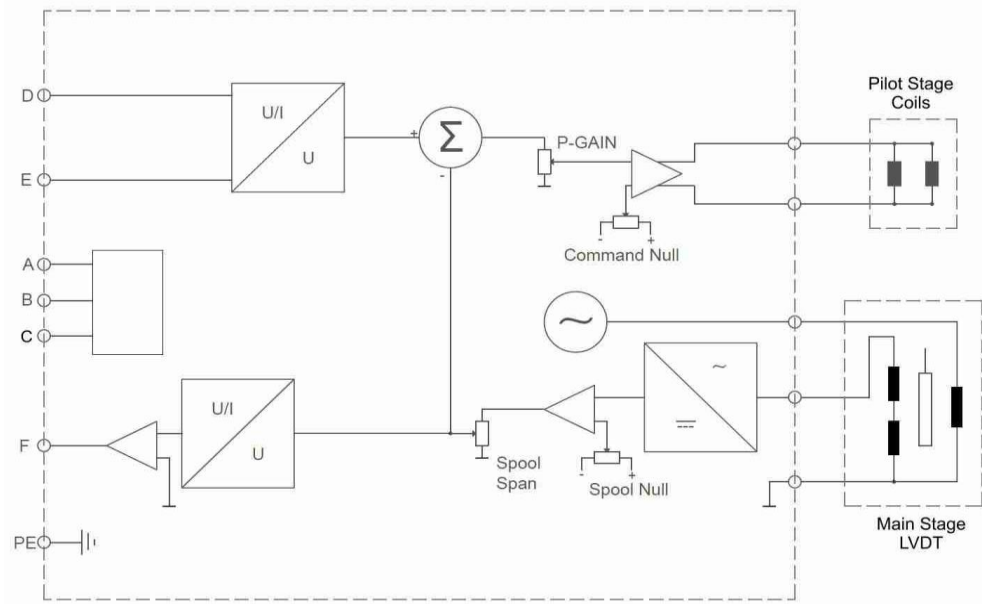
Hydraulic

Nominal flow ratings [$\pm 10\%$]	at 70 bar Δp	50, 90, 120 l/m
Operating pressure (max)	Ports	P, C1, C2, X R, Y
Seal material	NBR, FPM	350 bar 315 bar
Fluid viscosity range (recommended)		10 to 100 mm ² /s (cSt)
Fluid type		Mineral oil to ISO 11158, DIN 51524 or equivalent MIL-H-5606 Kerosene Water glycols others on request
Filter rating (recommended)	Pressure line Off-line	Beta 10 = 200 (10 μm abs), non by-pass & indicator Beta 2 = 1000 (2 μm abs)
Fluid cleanliness	ISO 4406: 1999 minimum recommended	16/ 14/ 11 15/ 13/ 10

Operational parameters

Hysteresis		$\leq 0.5\%$
Threshold		$\leq 0.1\%$
Null shift	ΔT 40°C	$\leq 1.5\%$
Internal leakage	140 bar supply (0.5% overlap)	≤ 2.0 l/m
Load pressure difference	1% input	$\geq 30\%$ of supply pressure can be as high as 100%
Response time	0-100% rated spool stroke 50, 90 l/m 120 l/m	23 ms 30 ms
Mounting pattern		ISO 4401-05-05-0-94 with X & Y port
Mounting position		Any, fixed or movable
Weight	std unit	4.4 kg
Design protection	EN 60529	IP 65
Shipping protection		Sealed base plate
Vibration		30 g all axis, 5 Hz to 2,000 Hz
Shock		30 g all axis
Seal material options		NBR, FPM
Temperature range		-20 to 80 °C

Technical data - Electrical details



Factory set options are as follows

Pin	Function	Dual rail power supply (code 'D')
A	Supply	+15 Vdc (+14.5 Vdc min...+18 Vdc max)
B	Supply	-15 Vdc (-14.5 Vdc min...-18 Vdc max)
C	Supply / signal ground	0 V
D	Input rated command (differential)	See order codes for V or I options
E	Inverse	
F	Main stage spool position O/P	See order codes for V or I options
PE	Protective earth	

Pin	Function	Single rail power supply (code 'S')
A	Supply	+24 V (+20 Vdc min...+28 Vdc max)
B	Supply / signal ground	0 V
C	n.c	
D	Input rated command (differential)	See order codes for V or I options
E	Inverse	
F	Main stage spool position O/P	See order codes for V or I options
PE	Protective earth	

Power supply

Current (mA)	< 100 each rail (typically 50)
Ripple (mV p-p)	< 100

Command signal

Phasing	When input at pin D = +ve with respect to pin E causes flow from P»A, B»T
Voltage input	impedance 1 Mohm
Current input	impedance 200 ohm
+4...+20 mA	at +12 mA spool is in centred position

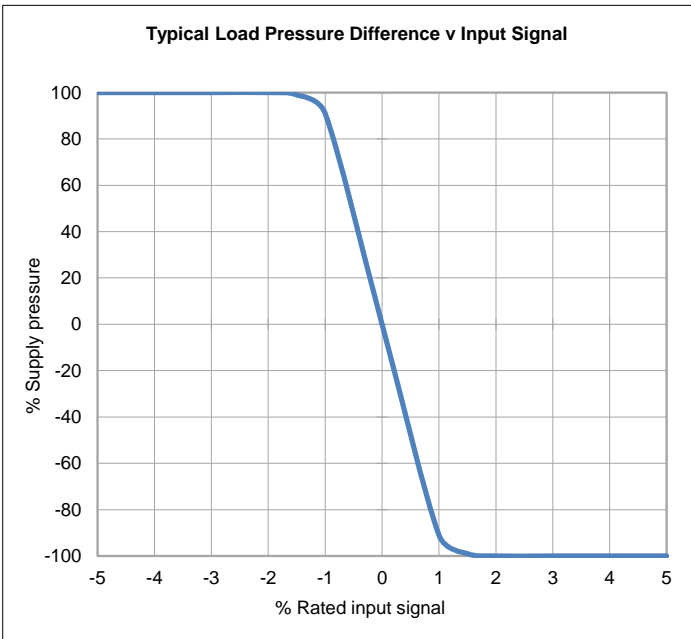
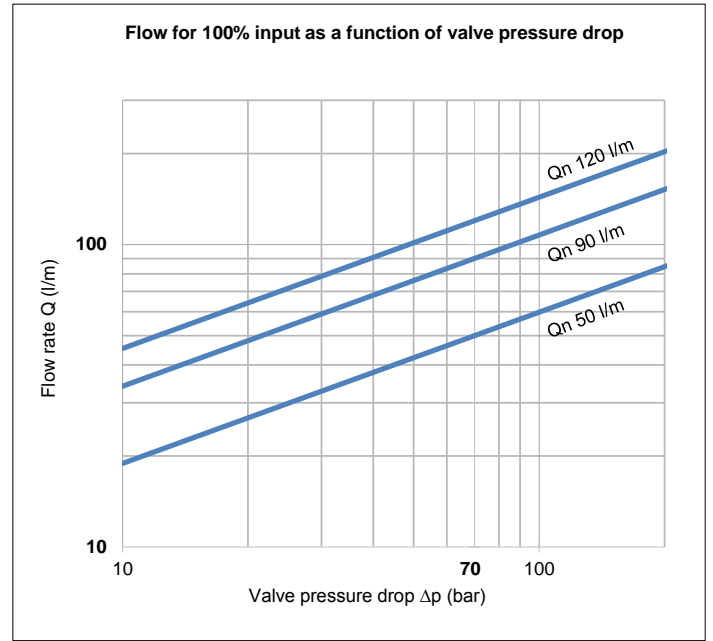
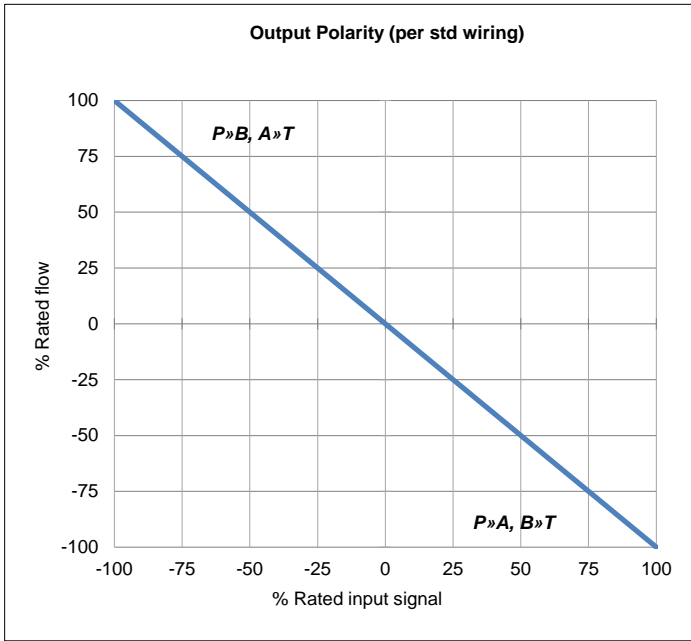
Spool position output

Voltage output	Output impedance <10 ohm, minimum receiver impedance 1 kohm
Current output	Output impedance > 100k ohm, minimum receiver impedance 30 ohm, maximum receiver impedance 400 ohm

Protection

Reverse Polarity	Indefinite
Over-voltage	Absolute max +/- 20 V DC

Technical data



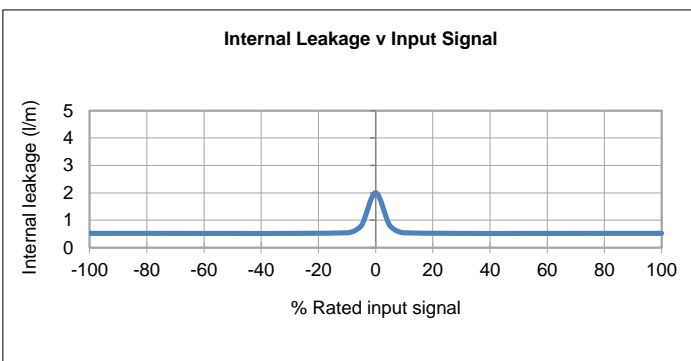
The flow tolerance for standard servovalves is $\pm 10\%$ of the rated flow at 100% rated input signal.

Rated Signal [In] is the specified input voltage or current of either polarity to produce rated flow. Rated input does not include null bias values.

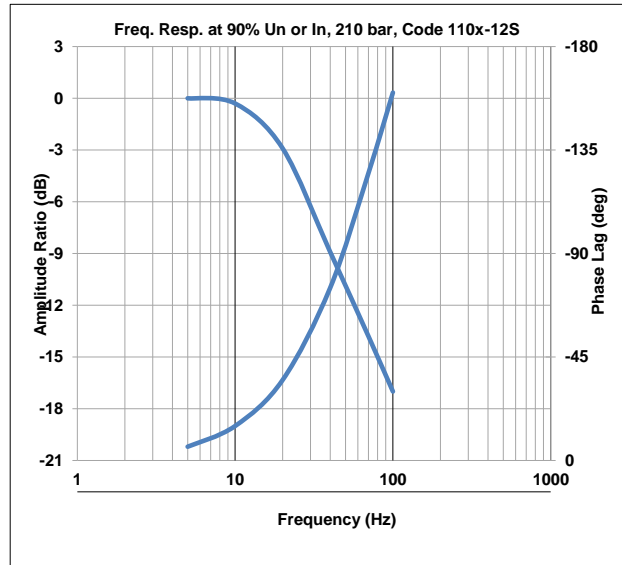
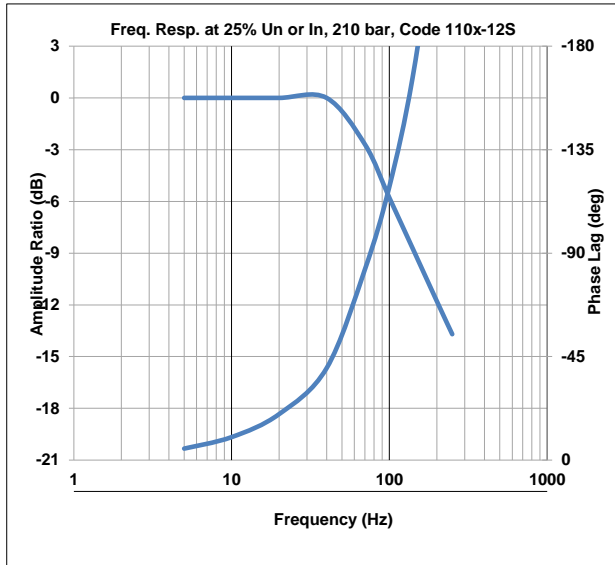
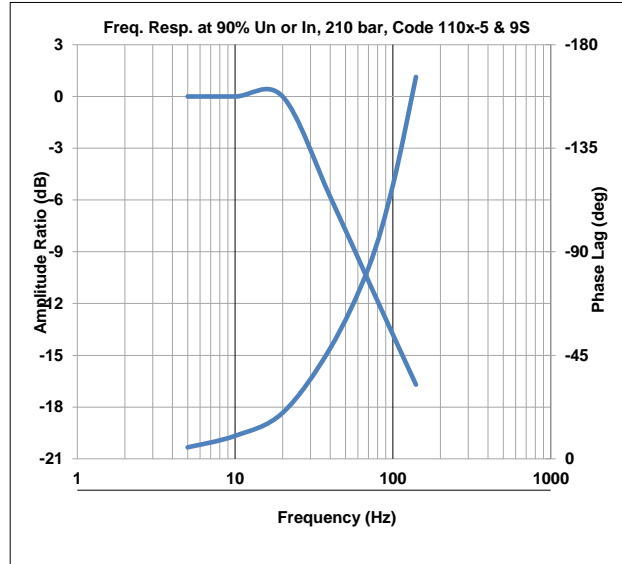
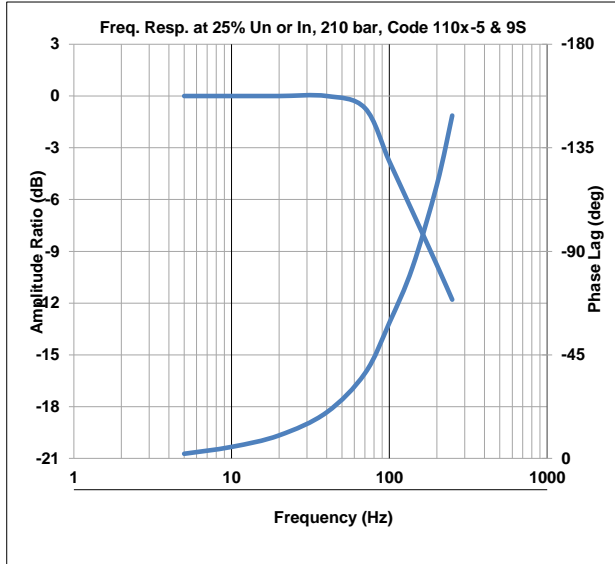
Rated flow corresponds to the flow at rated input at 10 bar or 70 bar, with no load, therefore in 4-way valves there will be a pressure drop of 5 bar or 35 bar respectively across each land.

Load pressure difference versus input signal indicates typical differential pressure gain between ports C1 (A) and C2 (B) for standard lap spools. Negative and positive overlap change this characteristic significantly.

Internal leakage comprises of tare first stage and laminar leakage between spool and sleeve. With critical lap conditions in 4-way designs the leakage peaks through the null region.



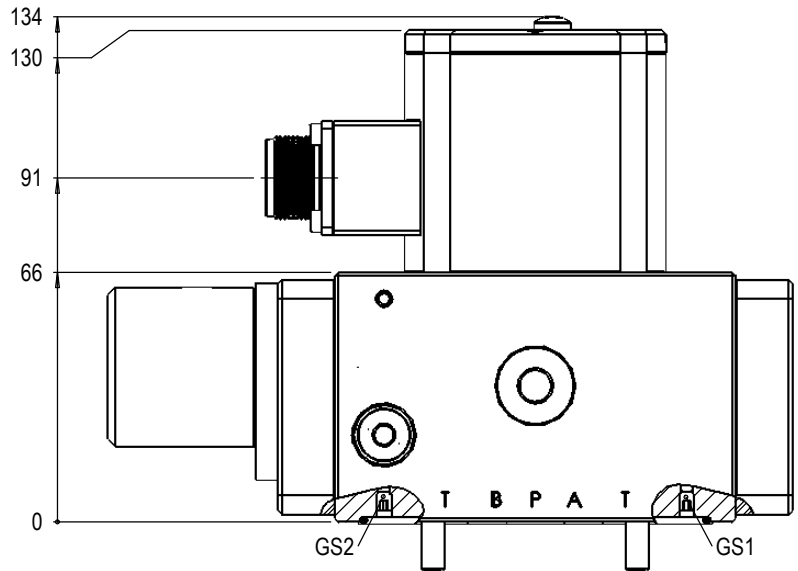
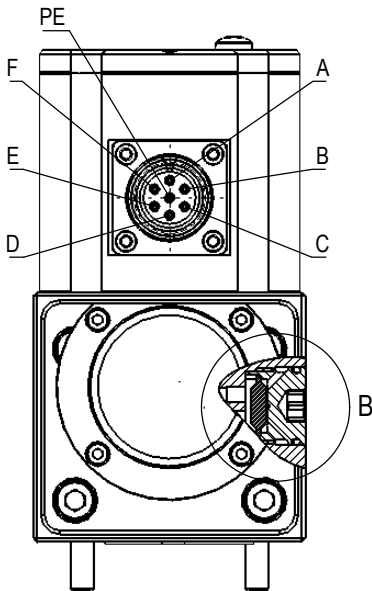
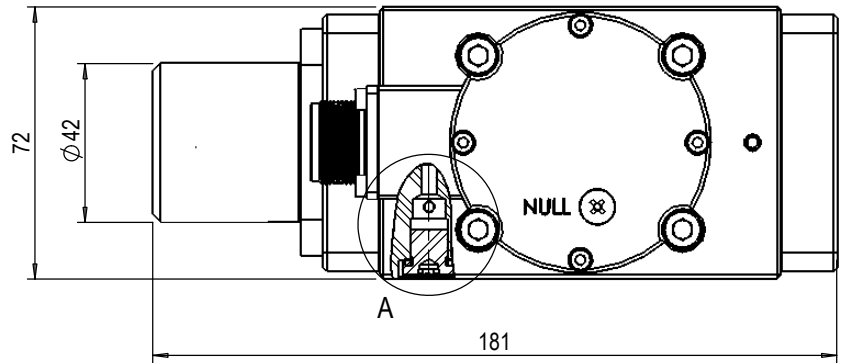
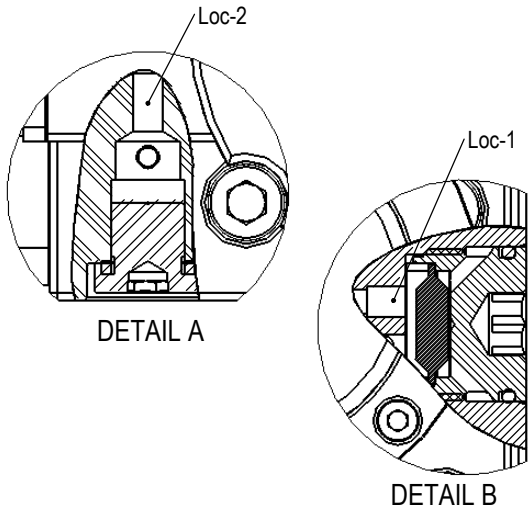
Technical data



1100 series
INSTALLATION DETAILS



Mounting screws	Skt head cap screws M6 x 60 - 10.9 ISO 4762
Null adjust (Electrical)	Remove button headed screw, insert potentiometer driver & rotate to desired null point
Pilot stage configuration	Internal pilot supply when 'GS1' installed at valve port 'X' External pilot supply when 'GS1' installed at 'Loc-1' Internal pilot return when 'GS2' installed at valve port 'Y' External pilot return when 'GS2' installed at 'Loc-2'
Porting details	P, A, B, T, T2 ports $\phi 9.0$ \square $\phi 15.7$ $\nabla 1.40$ X, Y ports $\phi 3.0$ \square $\phi 18.7$ $\nabla 1.40$
Interface seals	Ports P, A, B, T, T2 - ID 12.4 x 1.78 O-Ring Ports X, Y - ID 15.6 x 1.78 O-Ring
Replacement filter	PN: SRS2916. Requires 8 A/F hex key



WARNING do not attempt to remove plugs or filter when valve is pressurized

Mounting interface conforms to ISO 4401-05-05-0-94											
	P	A	B	T	T2	X	Y	F1	F2	F3	F4
size	$\phi 10$	$\phi 10$	$\phi 10$	$\phi 10$	$\phi 10$	$\phi 3$	$\phi 3$	M6	M6	M6	M6
x	27	16.7	37.3	3.2	50.8	-8	62	0	54	54	0
y	6.3	21.4	21.4	32.5	32.5	11	11	0	0	46	46

Surface flat within 0.01 / 100 : finish better than 0.8 μm

